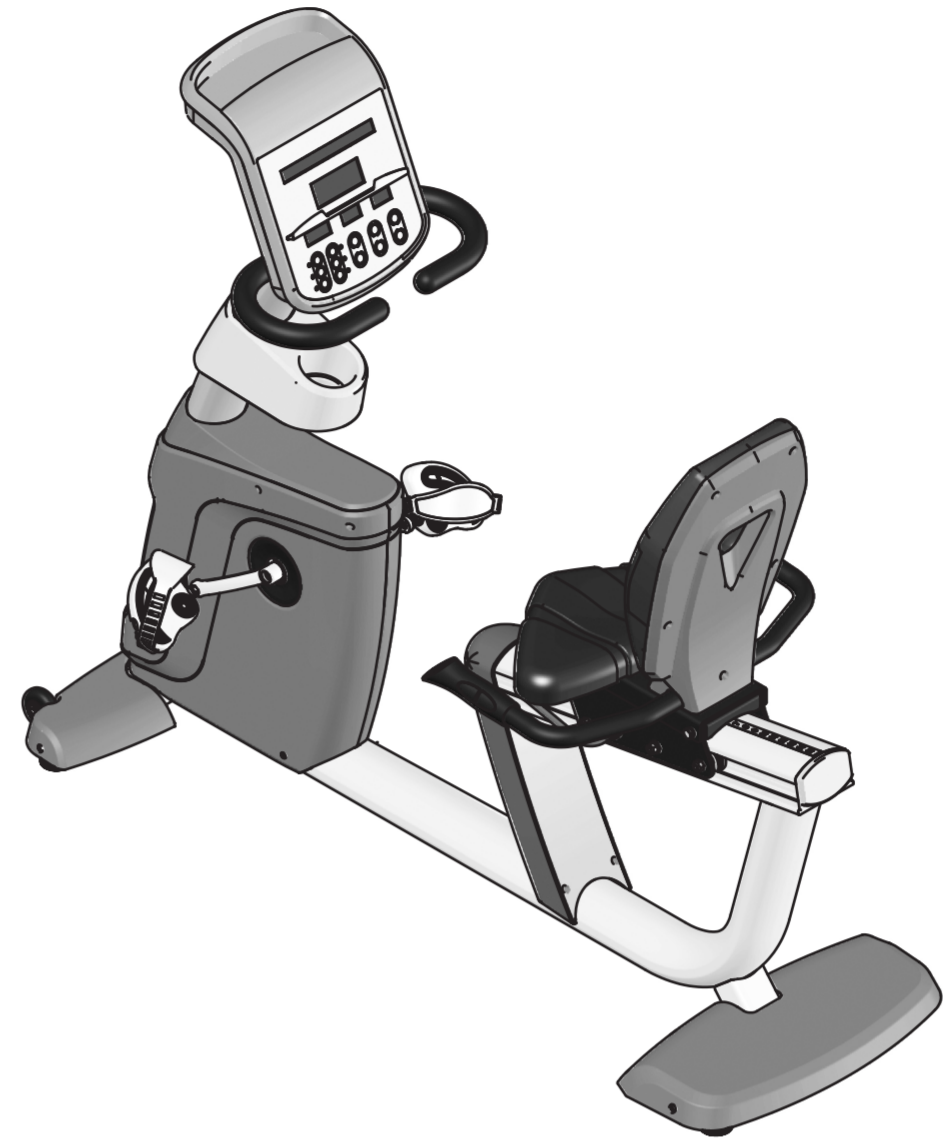


# ASSEMBLY GUIDE

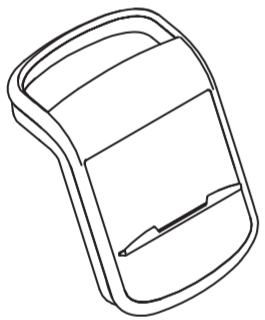


**! CAUTION**  
Read all precautions  
and instructions in this manual  
before using this equipment

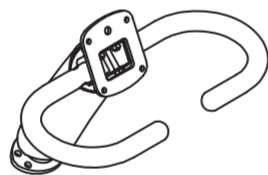
12P



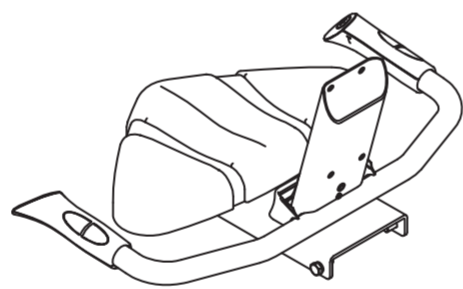
## Subassembly Parts List



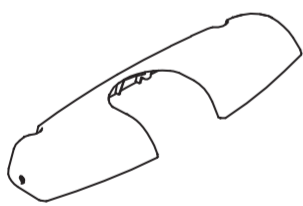
Console



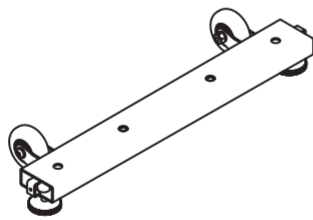
Upright & Handlebar Frame



Seat Pad Support



Front Base Cover



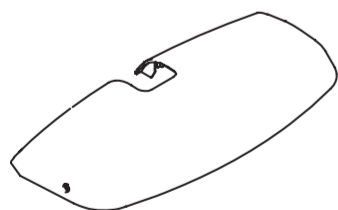
Front Base



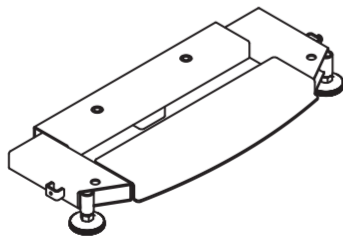
Back Pad



Back Cover



Rear Base Cover



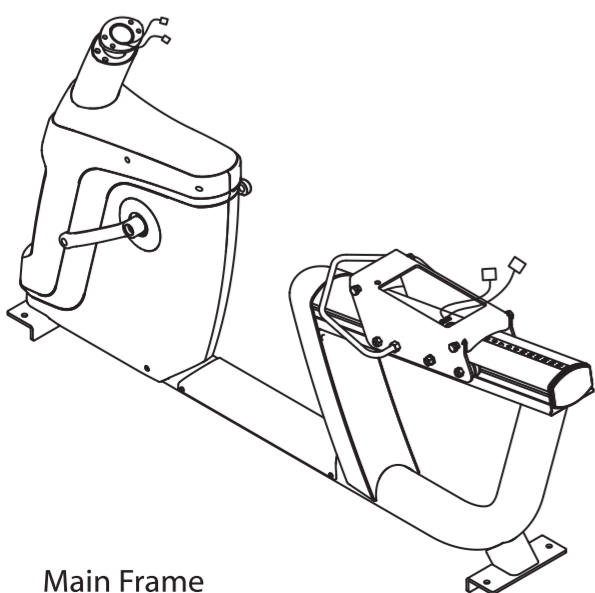
Rear Base



Water Bottle Holder



Water Bottle  
Holder Bracket



Main Frame



Hardware



Front & Rear  
Neck Cover

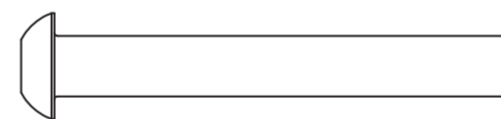


Manual



Pedal

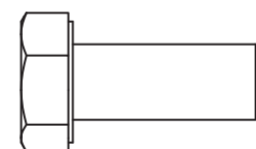
## Hardware List



two M8\*60 Allen Pan Bolt (#102)



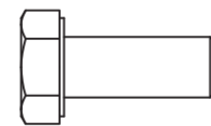
eight  $\Phi 9 \times \Phi 16 \times 1.6$  Washer (#94)



twelve M10\*25 Hex Head Bolt (#74)



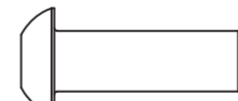
Twelve  $\Phi 10$  Spring Washer (#92)



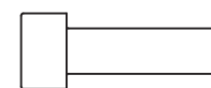
four M8\*20 Hex Head Bolt (#72)



eight  $\Phi 8$  Spring Washer (#91)



two M8\*25 Allen Pan Bolt (#100)



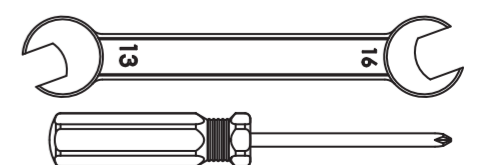
five M6\*20 Socket Head Cap Screw (#77)



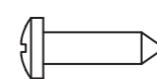
one S=5 Hex Key (#110)  
one S=6 Hex Key (#111)



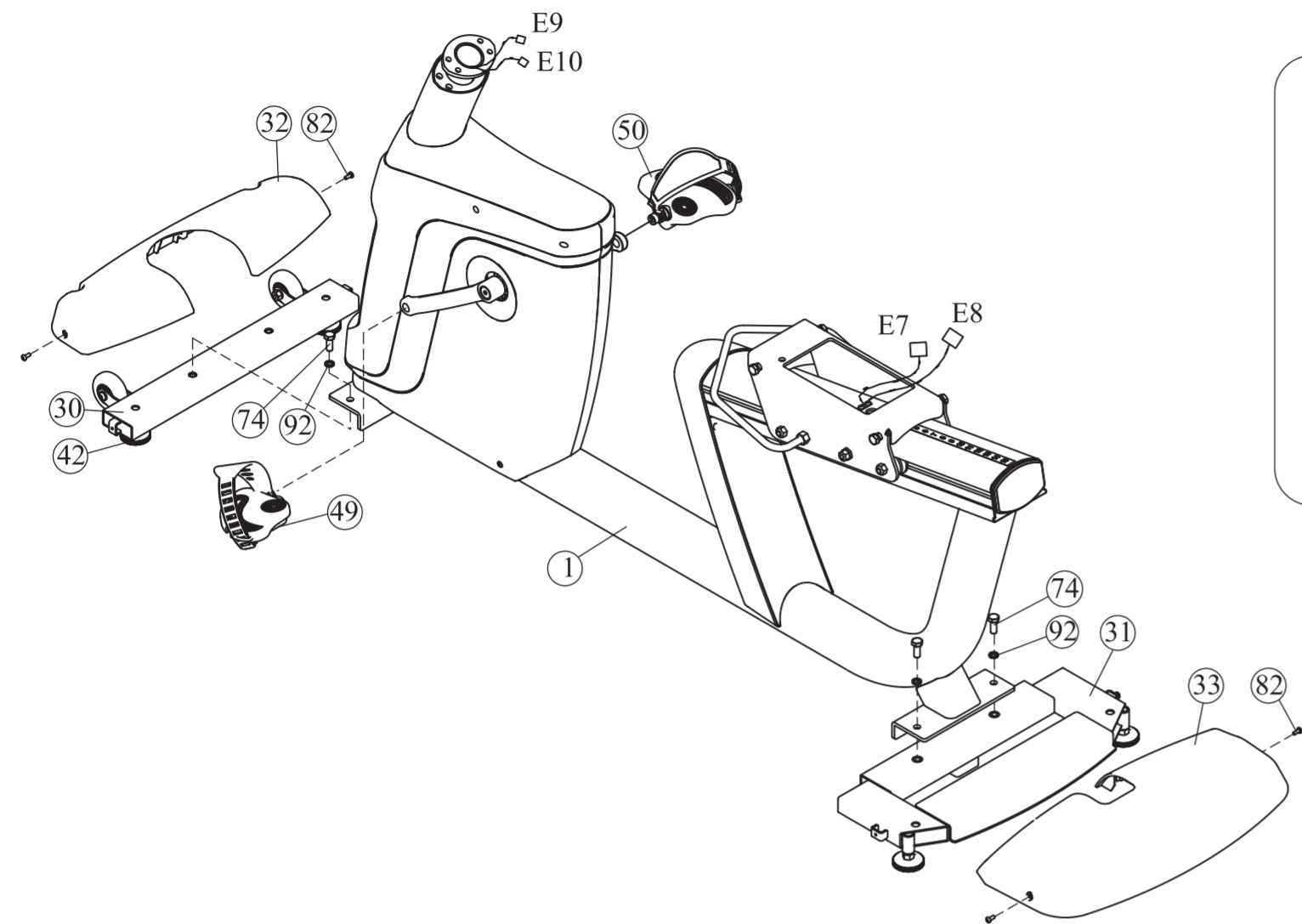
four M5\*12 Screw (#82)



one Wrench (#108)  
one Wrench (#109)

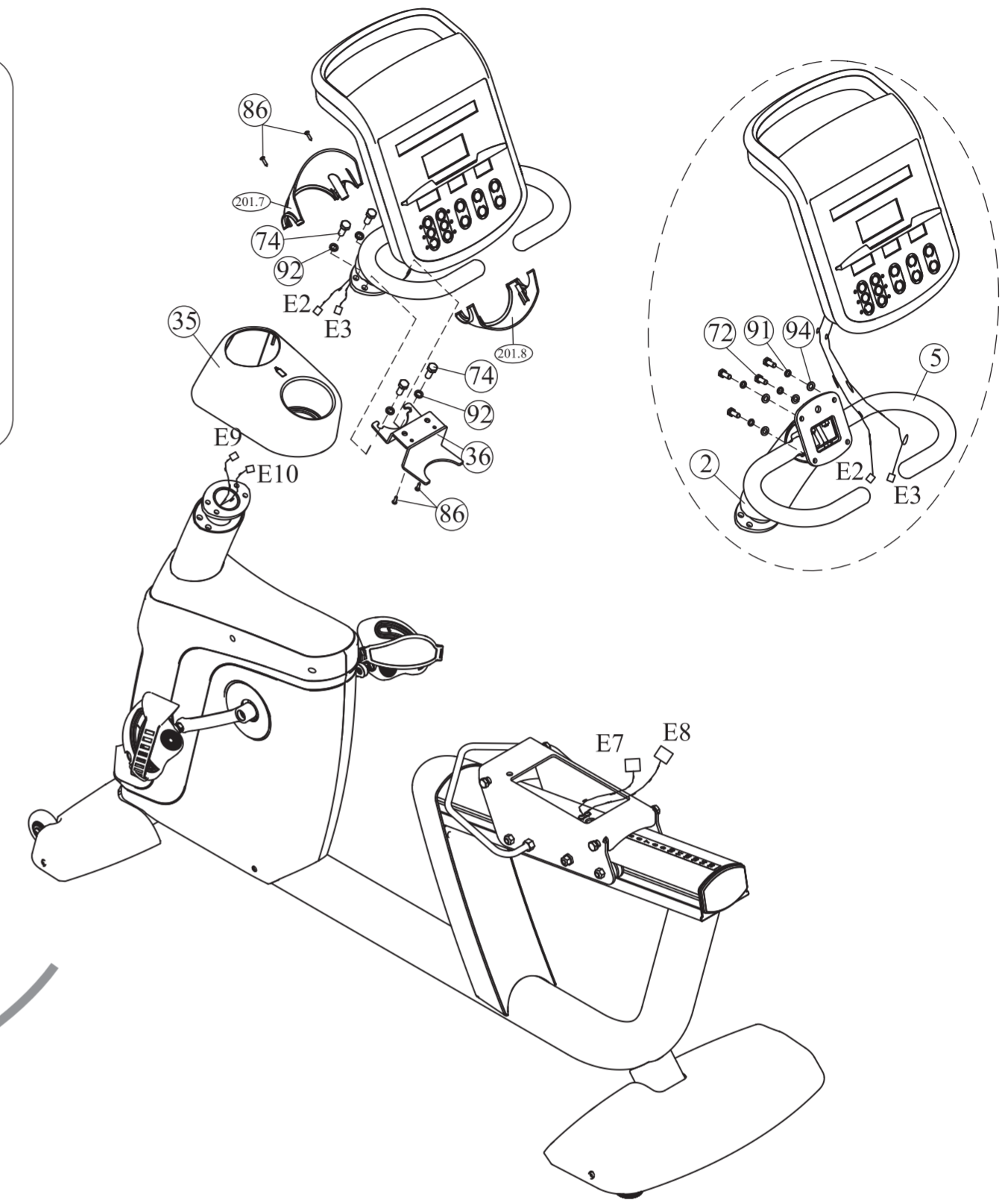


four ST4.2\*16 Screw (#86)



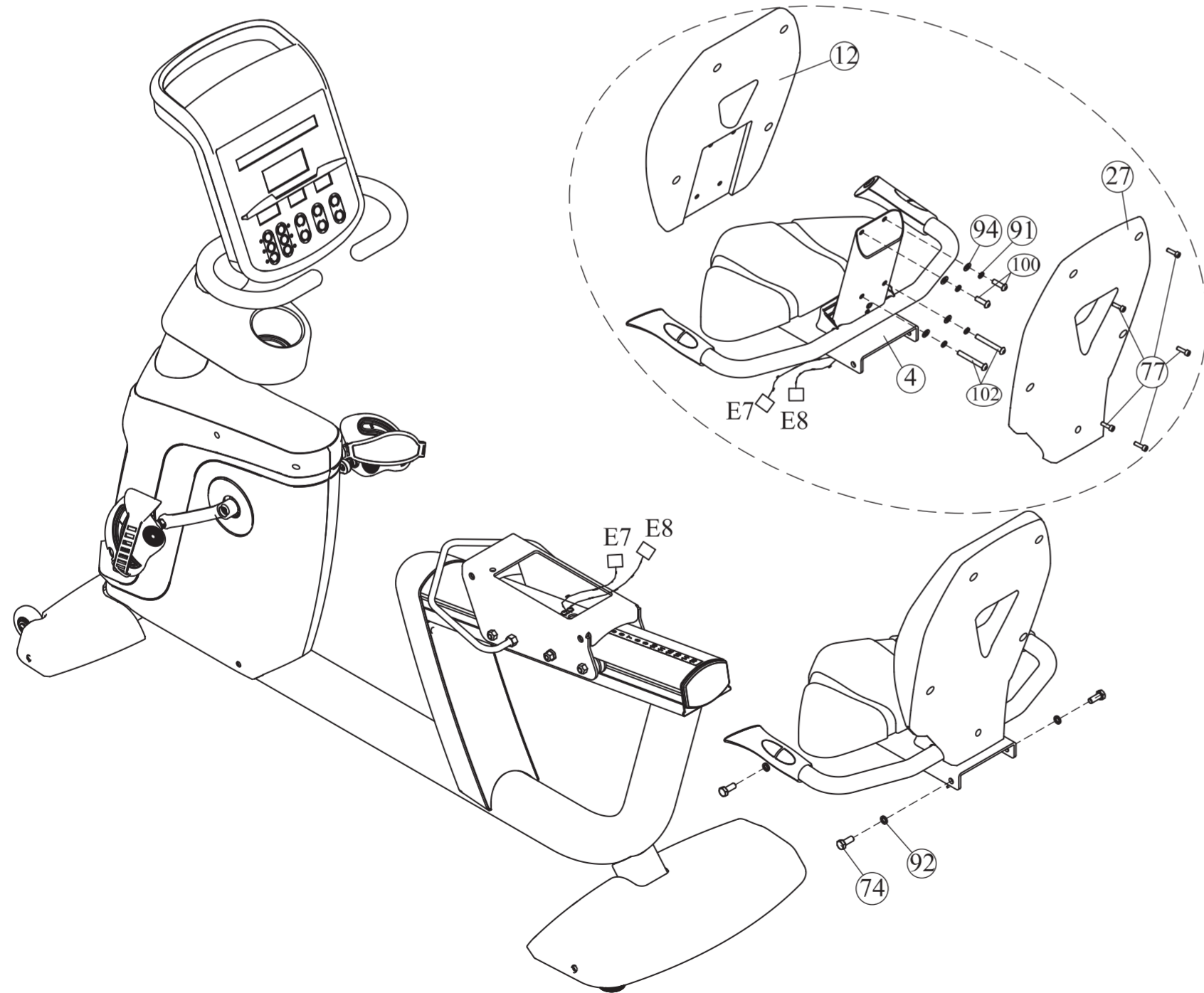
### Step 1

1. Fixing the Front Base (#30) and the Rear Base (#31) to the Main Frame (#1), Using:  
four M10\*20 Hex Head Bolt (#74)  
four  $\Phi$ 10 Spring Washer (#92)  
Adjust leveler foot (#42).
2. Fixing the Front Base Cover (#32) and the Rear Base Cover (#33) to the Main Frame (#1), Using:  
four M5\*12 Screw (#82)
3. Fixing the Left Pedal (#49) and the Right Pedal (#50) to the Main Frame.



### Step 2

1. Down-lead the Stopwatch (#E3) and Console Cable (#E2) to the Pipeline, Fixing the Upright Frame (#2) and The Handlebar (#5), Using:  
four M8\*20 Hex Head Bolt (#72)  
four  $\Phi$ 8 Spring Washer (#91)  
four  $\Phi$ 9\* $\Phi$ 16\*1.6 Washer (#94)
2. Have your helper hold the Console until ring the Water Bottle Holder (#35) and Plug Stopwatch (#E3) and Stopwatch (#E10), Plug Console Cable (#E2) and Console Cable (#E9). At the same time Fixing the Upright Frame (#2) and the Water Bottle Holder Bracket (#36) to the Main Frame (#1). Using:  
four M10\*20 Hex Head Bolt (#74)  
four  $\Phi$ 10 Spring Washer (#92)
3. Fixing the Water Bottle Holder (#35) to the Water Bottle Holder Bracket (#36), Using:  
two ST4.2\*16 Screw (#86)
4. Fixing the Front Neck Cover (#201.7) and The Rear Neck Cover (#201.8) to the Console, Using:  
two ST4.2\*16 Screw (#86)



### Step 3

1. Have your helper hold the Seat Pad (#4). Plug the Switching Cable 1 (#E7), Switching Cable 2 (#E8), Handle Pules Cable (#E12).
2. Fixing the Seat Pad Support Frame (#4) to the Main Frame (#1) Using:  
four M10\*20 Hex Head Bolt (#74)  
four  $\Phi$ 10 Spring Washer (#92)
3. Fixing the Back Pad (#12) to the Seat Pad Support Frame (#4), Using:  
two M8\*25 Allen Pan Bolt (#100)  
two M8\*60 Allen Pan Bolt (#102)  
four  $\Phi$ 8 Spring Washer (#91)  
four  $\Phi$ 9\* $\Phi$ 16\*1.6 Washer (#94)
4. Fixing the Back Cover (#27) to the Seat Pad Support Frame (#4), Using:  
five M6\*20 Socket Head Cap Screw (#77)