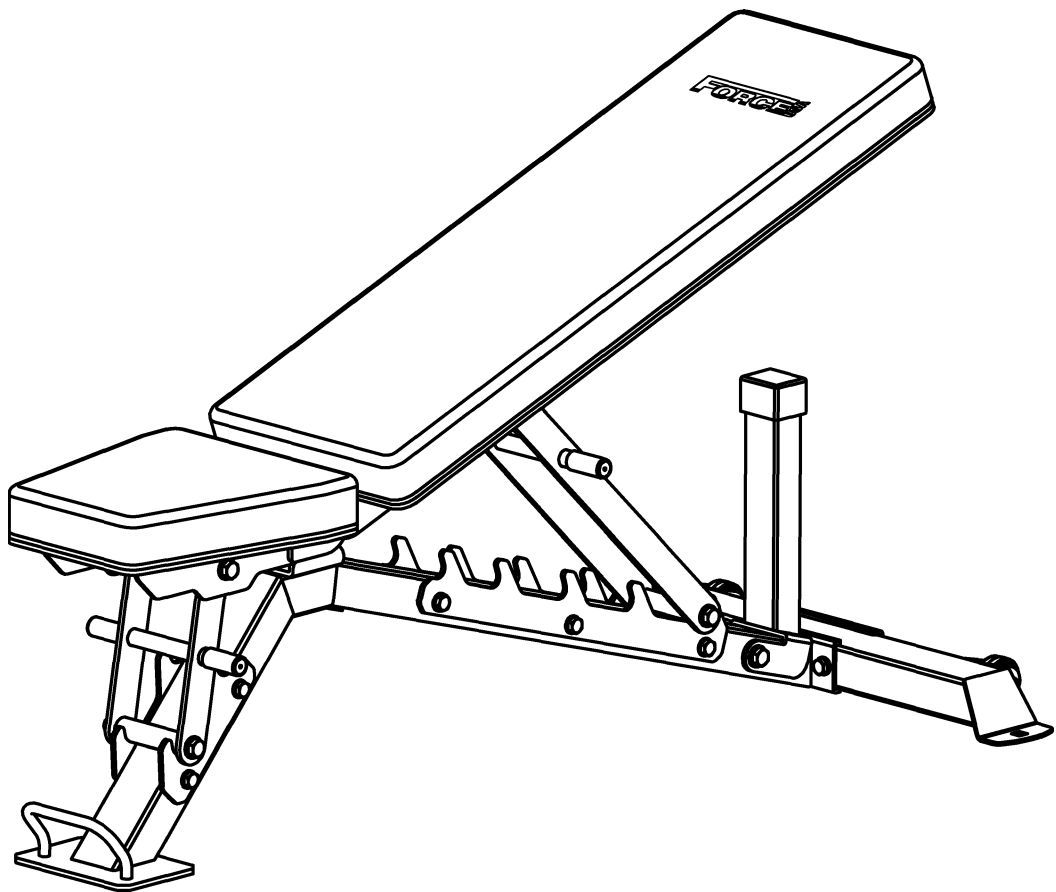


# FORCE USA



USER MANUAL | **F-COMFID-V2**

# ASSEMBLY MANUAL

## BEFORE YOU START

Read all instructions in this manual before assembling or using this equipment.

Remove all parts from the packaging and separate and count each various component to ensure everything has been correctly provided.

Follow the instructions and consult both the individual assembly pages and the overall expanded views of the equipment.

It is the owner's responsibility to ensure that all users of this unit have read the owner's manual and are familiar with the safety precautions.

We recommended you keep these instructions.

## SAFETY PRECAUTIONS

- Highly recommended for two or more people to assemble the equipment
- Assemble equipment on a flat surface
- Consider placing a mat under equipment to protect your floor
- Only tighten nuts and bolts by hand until whole equipment is assembled
- Ensure all parts are in working order prior to use
- Do not use equipment outdoors or around water
- Keep hair, fingers and clothing away from moving parts
- Only use attachments recommended by the manufacturer
- Never operate if parts are not functioning correctly
- Always stretch prior to using equipment
- Stop immediately if you experience any pain, dizziness or nausea.
- Before starting any exercise program consult your doctor

# IMPORTANT ASSEMBLY INFORMATION

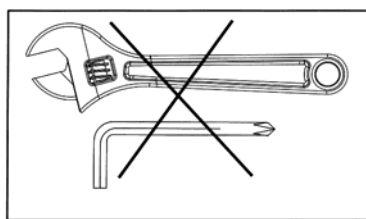
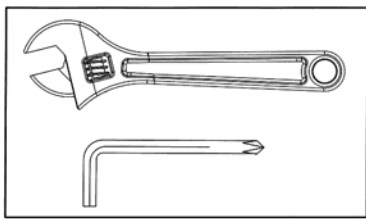
NOTE: It is strongly recommended that this equipment is assembled by two or more people to avoid possible injury.

## FASTENING NUTS AND BOLTS

- Only tighten all nuts and bolts after all components have been fully assembled.
- Do not over tighten any component with pivoting function.
- Make sure all pivoting components are able to move freely.

Place all parts in a cleared area and remove the packing materials. Do not dispose of the packing materials until you complete all assembly steps.

PLEASE NOTE: Descriptions of pieces as LEFT and RIGHT are from the point of view of standing behind the equipment facing towards the front.

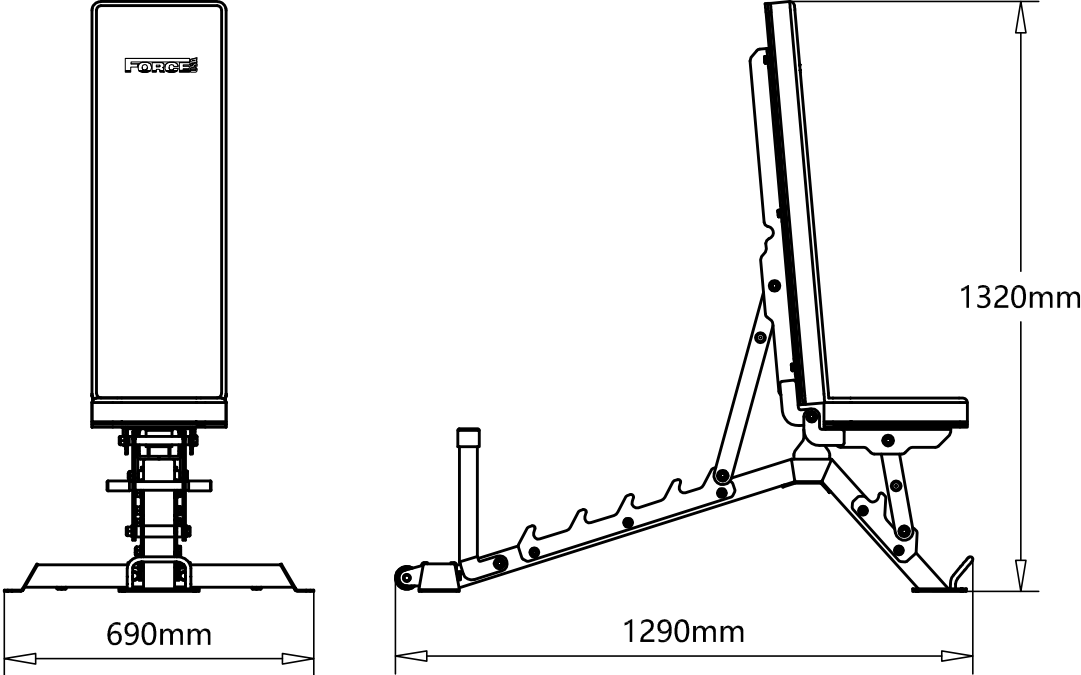


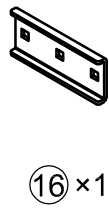
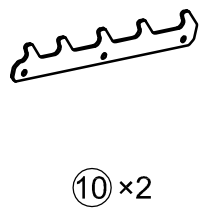
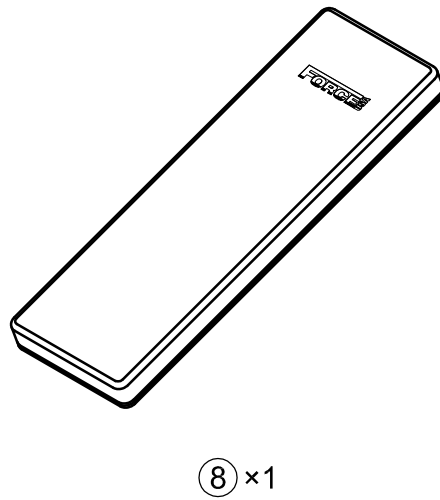
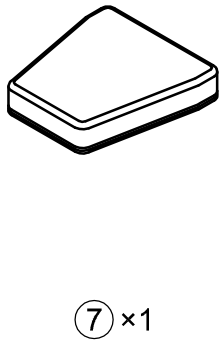
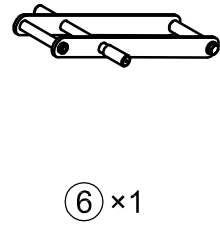
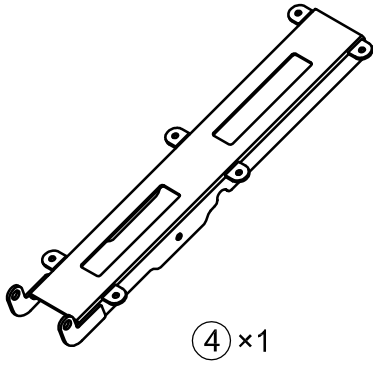
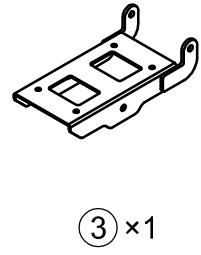
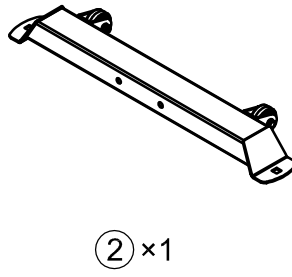
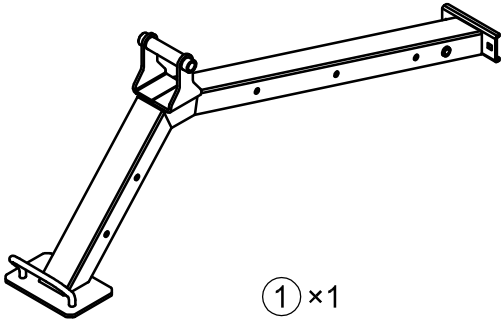
# PARTS LIST

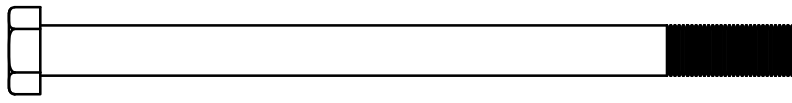
NOTE: SOME PARTS MAY COME PRE ASSEMBLED, IN WHICH CASE CONTINUE ONTO THE NEXT REQUIRED STEP OF ASSEMBLY

KEY NO.	PART DESCRIPTION	SPEC	QTY
1	Main Frame		1
2	Cross bar		1
3	Seat Cushion Frame		1
4	Backrest Frame		1
5	Seat Incline Support		1
6	Backrest Incline Support		1
7	Seat Pad	320×300×200×65	1
8	Backrest Board	900×300×65	1
9	Incline Adjustment Base	180×73×5	2
10	Incline Adjustment Base	500×73×5	2
11	Support Frame		1
12	Bushing	Φ22×Φ12.2×94	1
13	Bushing	Φ25×Φ12.5×105	1
14	Bushing	Φ25×Φ18×Φ12.2×13	2
15	Bushing	Φ19×Φ16×Φ12×8	4
16	Side Plate	140×51×13×4	1
17	Rear Upright Base End Cap	□40×50	1
18	Wheel	Φ50×28	2
19	Spacer	Φ19×50	4
20	Bolt	M12×180	1
21	Bolt	M12×165	1
22	Bolt	M12×150	1
23	Bolt	M12×135	1
24	Bolt	M12×125	1
25	Bolt	M12×105	1
26	Bolt	M10×95	7
27	Bolt	M8×50	2
28	Bolt	M8×25	10
29	Washer	8	14
30	Washer	10	14
31	Washer	12	12
32	Aircraft Nut	M8	2
33	Aircraft Nut	M10	7
34	Aircraft Nut	M12	6

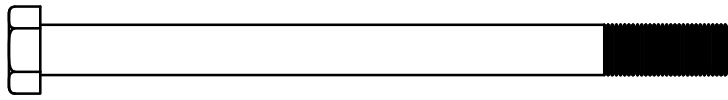
**Assembled Dimension: 1290mm x 690mm x1320mm**



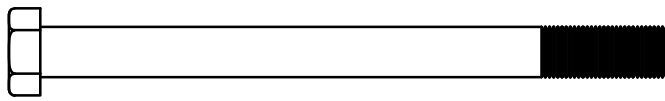




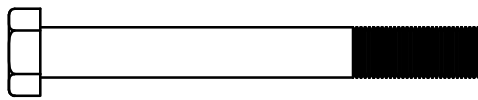
②0 × 1



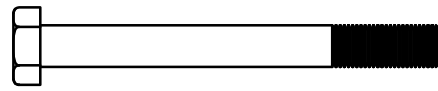
②1 × 1



②2 × 1



②5 × 1



②6 × 7



①4 × 2



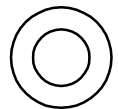
②8 × 10



②9 × 10



③0 × 14



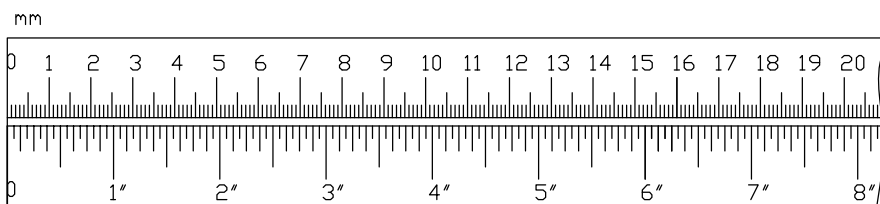
③1 × 8



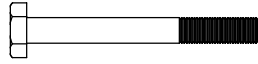
③3 × 7



③4 × 4



26



x2 M10x95

30

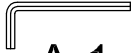
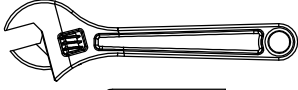


x4 Φ10

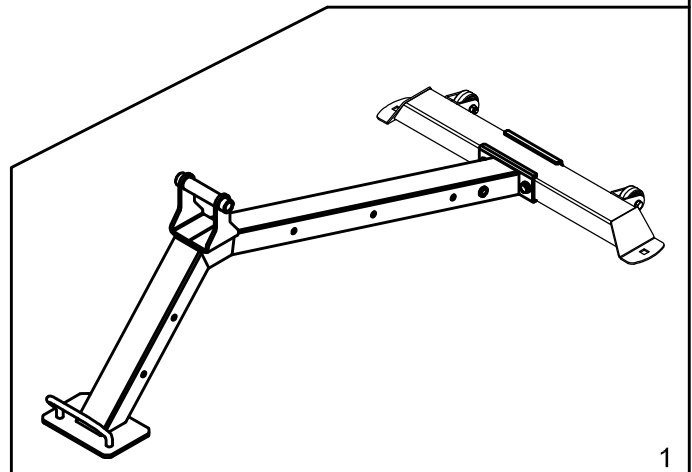
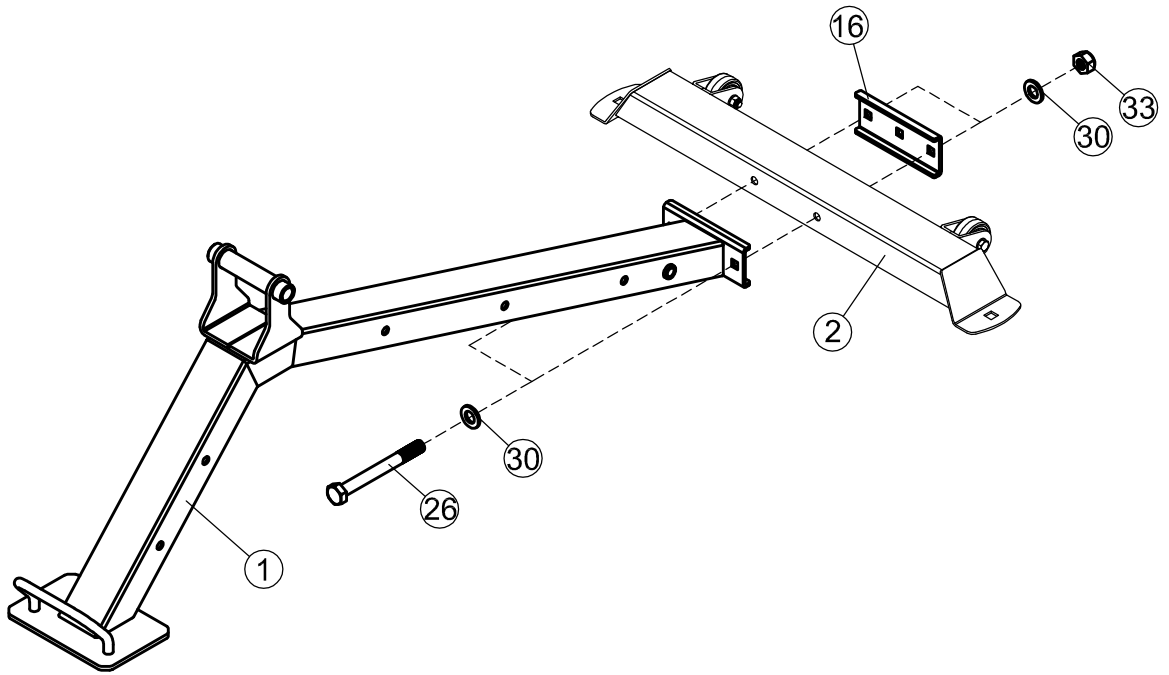
33



x2 M10



A-1





②⑥  ×5 M10×95

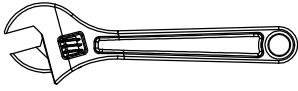
②⑤  ×1 M12×105

③⑩  ×10 Φ10

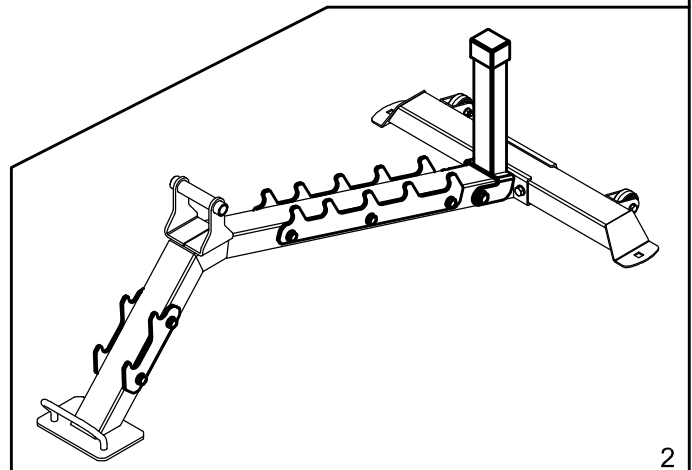
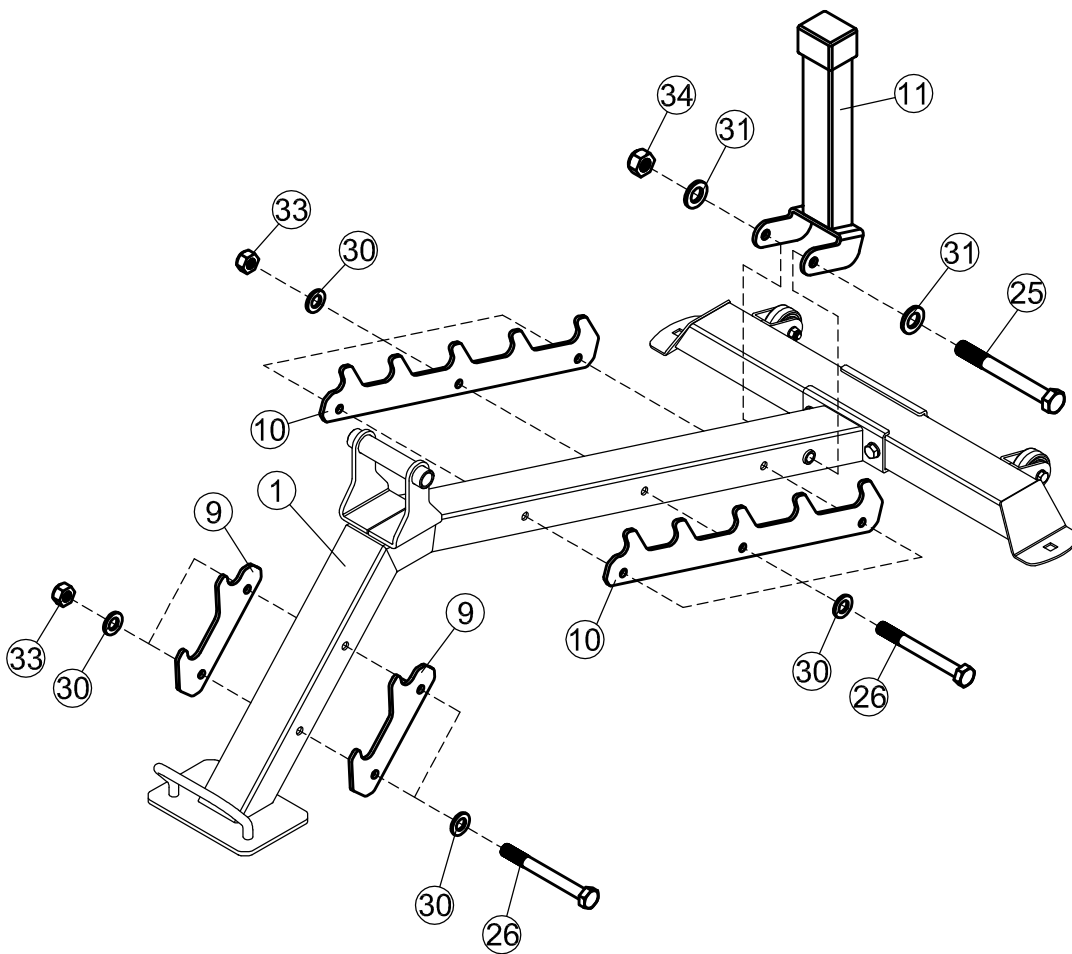
③①  ×2 Φ12

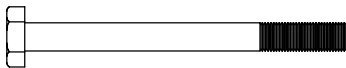




③③  ×5 M10

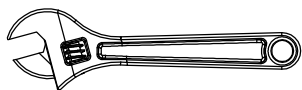
③④  ×1 M12



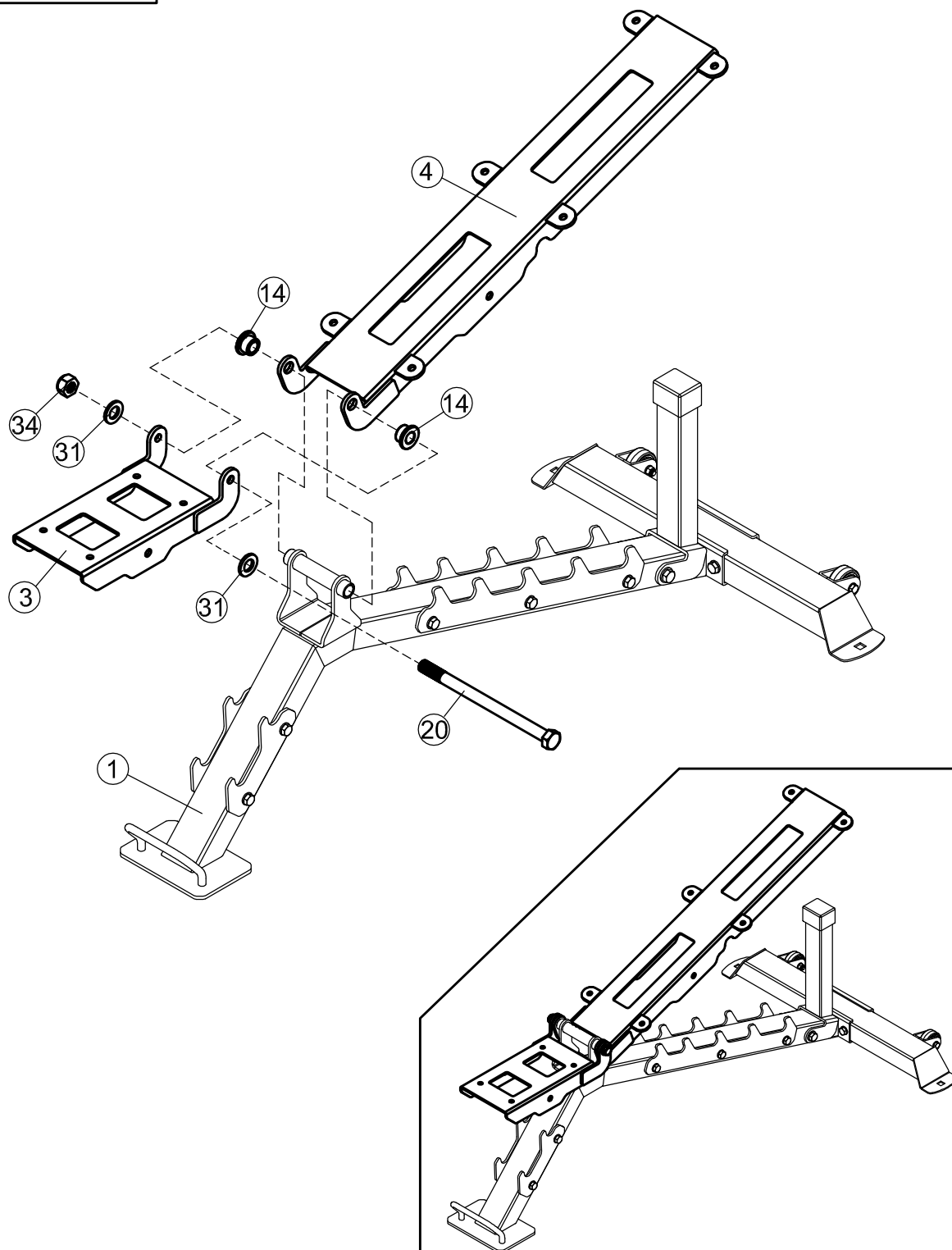
A-1

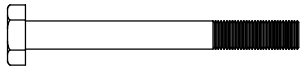
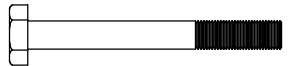






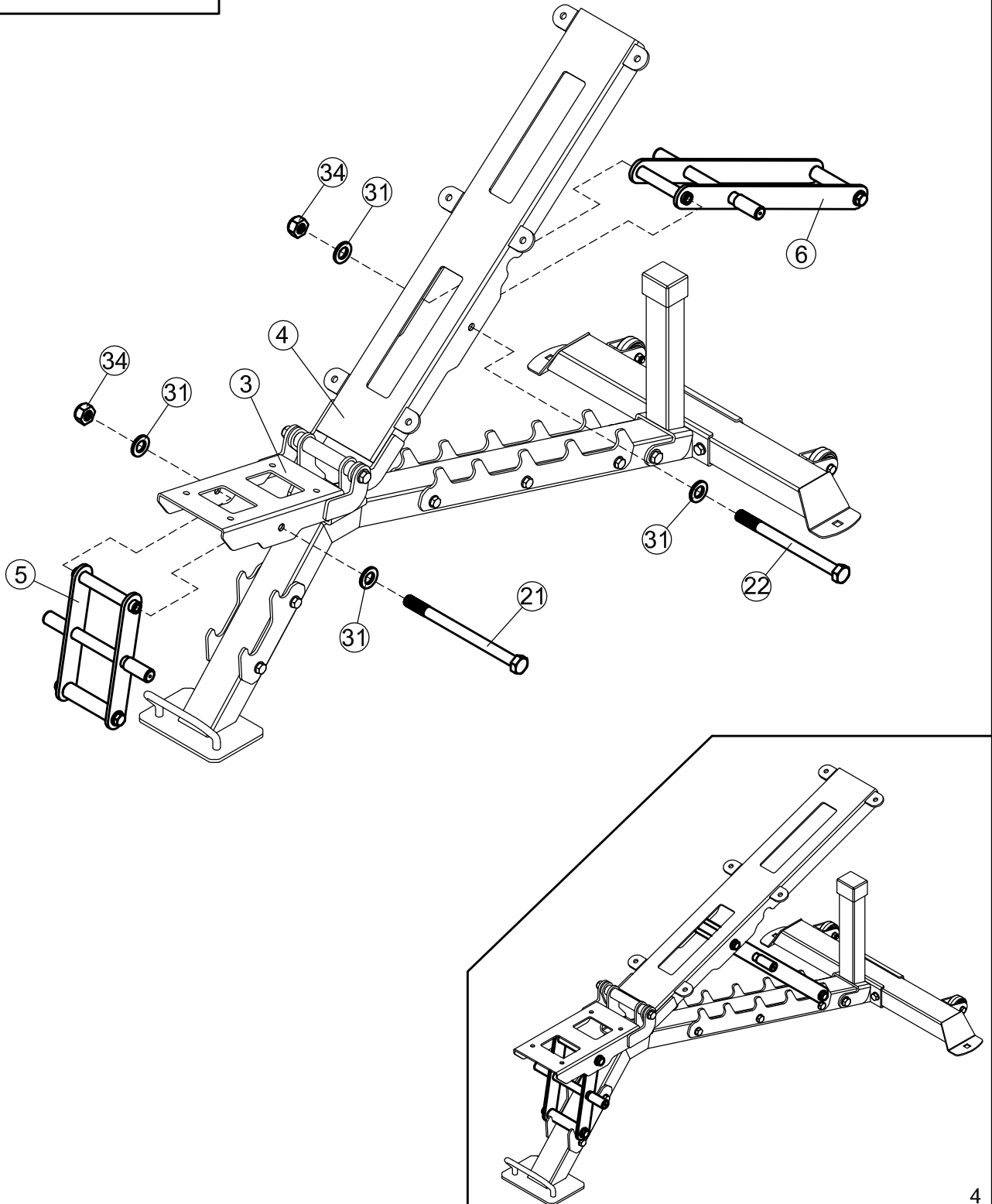
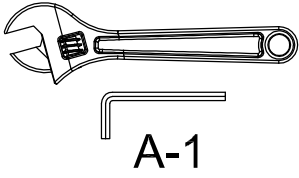
- 20  ×1 M12×180    34   ×1 M12  
 31  ×2 Φ12    14  ×2 Φ25×Φ18



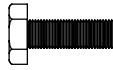
A-1



- |    |   |    |         |    |  |    |         |
|----|---|----|---------|----|--|----|---------|
| ②1 |  | x1 | M12×165 | ②2 |  | x1 | M12×150 |
| ③1 |  |    |         |    |   | x4 | Φ12     |
| ③4 |  |    |         |    |   | x2 | M12     |



28

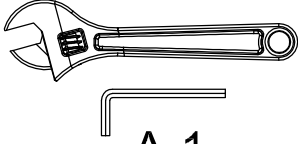


×10 M8×25

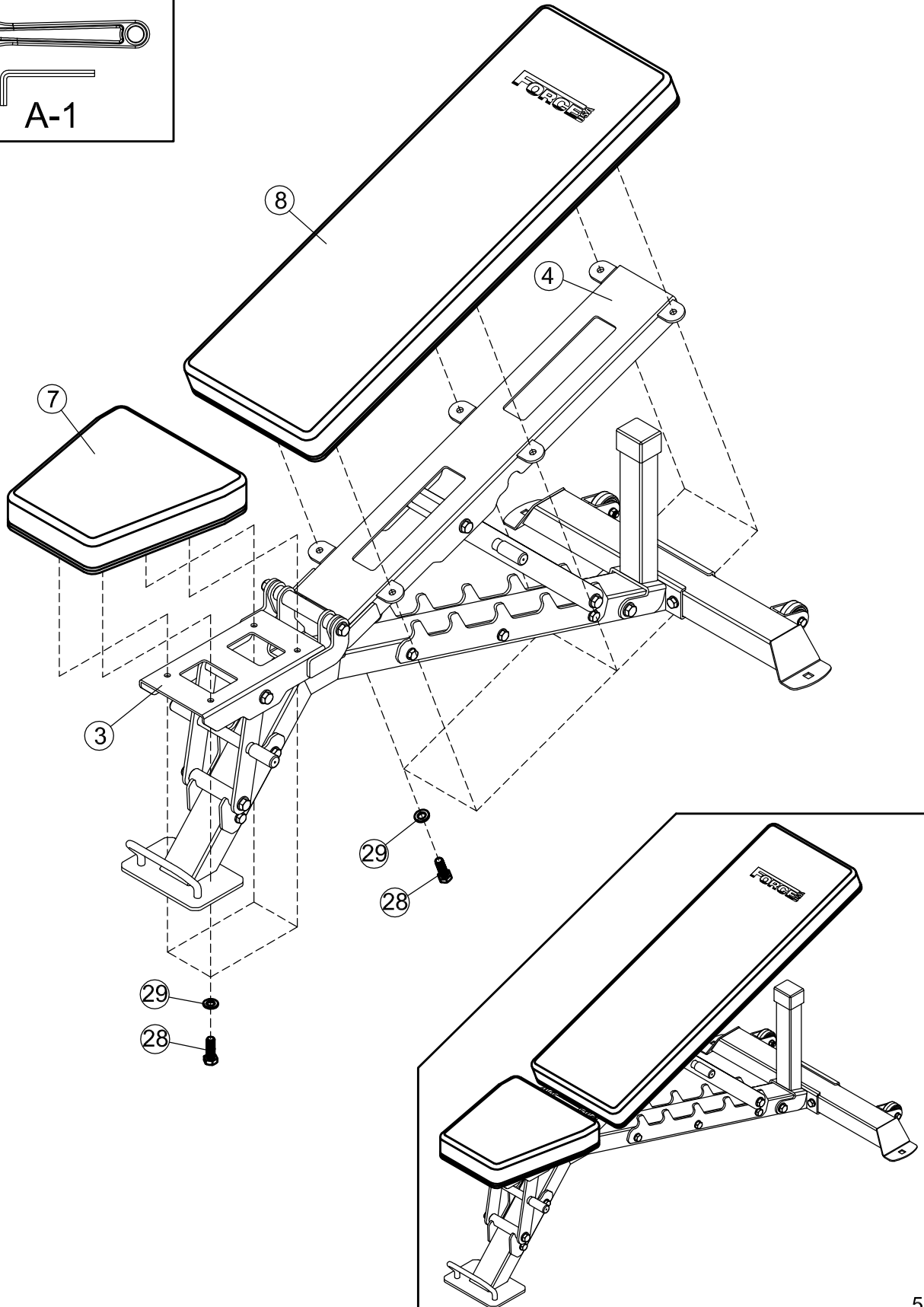
29



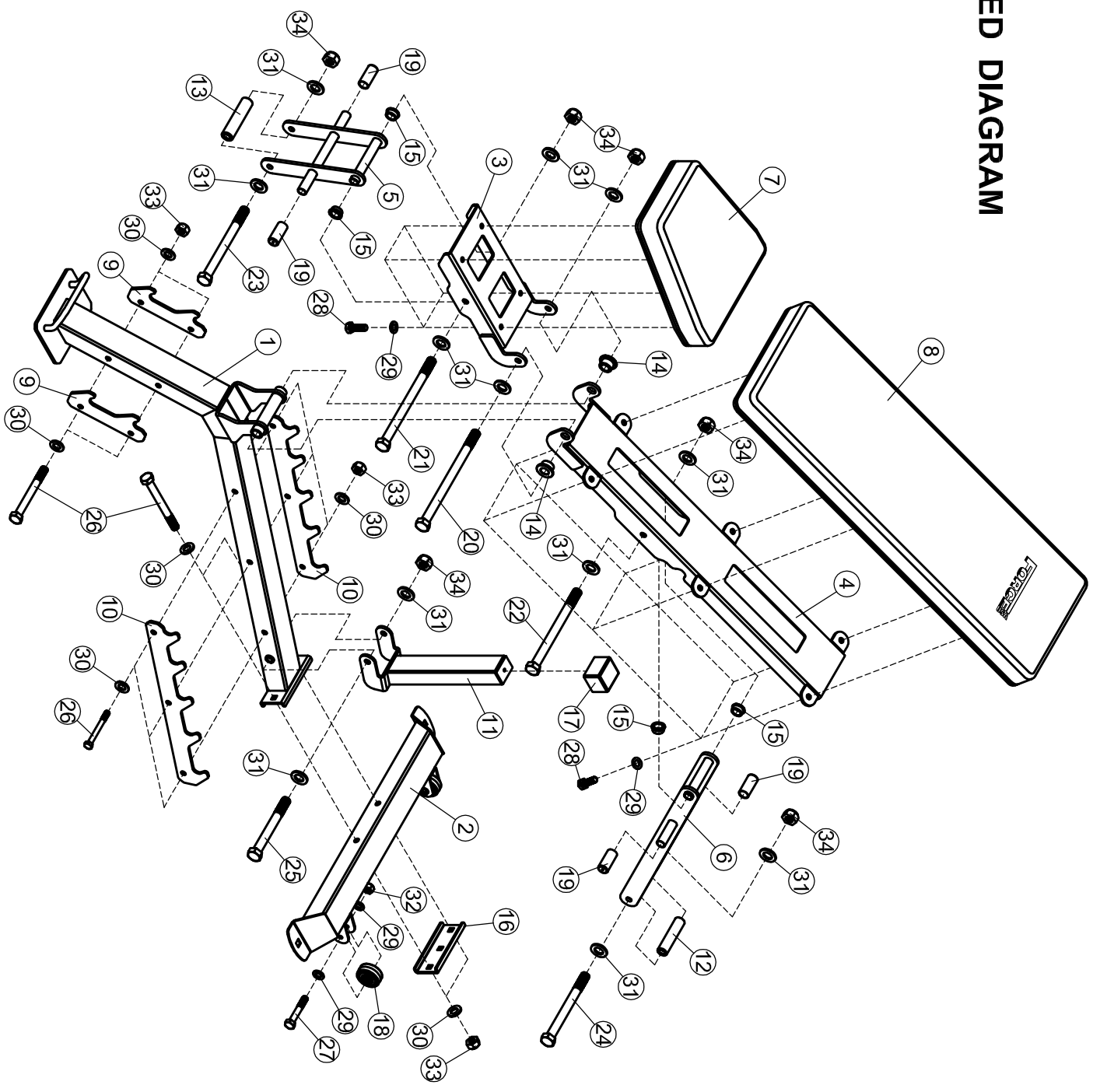
×10 Φ8



A-1



# EXPLODED DIAGRAM





We believe success comes from striving to be better than yesterday. It comes from the urge to push boundaries and break through barriers. Fueled with the belief that everybody deserves a fit and healthy lifestyle, we are dedicated to providing innovative strength and fitness solutions to build stronger, happier and healthier lives.

## **WARRANTY**

### LIFETIME WARRANTY ON FRAME - 2 YEAR WARRANTY ON MOVING PARTS

The Force USA range of strength equipment carries a Lifetime Structural Warranty along with two years cover on all cables and pulleys. This warranty applies to first owners and does not cover second-hand equipment or re-sold equipment. This Force USA warranty covers only failures due to defects in structural, cables and pulleys and workmanship that occur during regular home use. It will not cover damage that occurs in transport/delivery or failure due to misuse, abuse, neglect, misapplication, alteration or improper assembly of the product. This warranty does not cover the use or failure of equipment in-studio commercial applications. The replacement or repair provided for under the Force USA warranty is the responsibility of the user, and the customer will be responsible for any freight charges that apply. Force USA will not be liable for any consequential damages or breach of any implied warranty on the range of Force USA strength equipment. Force USA reserves the right to provide reconditioned parts and/or to request a return and repair existing defective components on the Force USA product.

Force USA uses commercial-grade upholstery for all Force USA strength equipment. The commercial vinyl comes with a rip-stop mesh backing to help prevent rips and tears.