



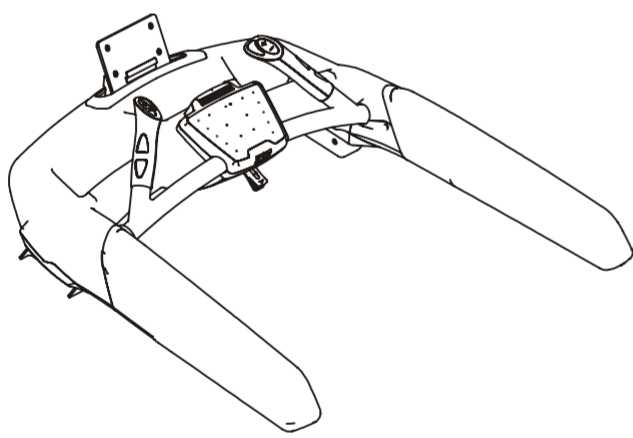
# RT750 TREADMILL ASSEMBLY GUIDE

15W

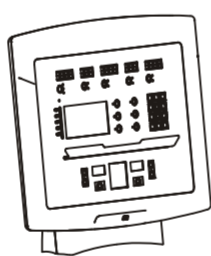
CAUTION! Read all precautions and instructions in this manual before using this equipment.



## Subassembly Parts List



Console Frame Assembly



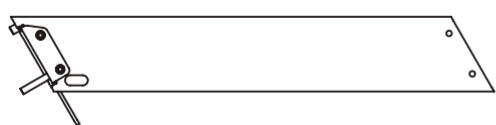
Console



Left Upright



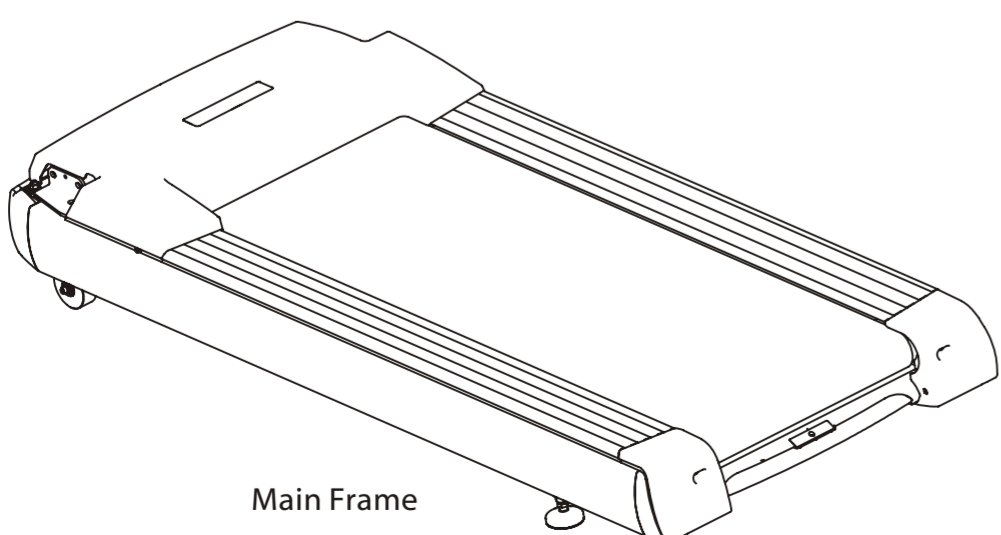
Hardware



Right Upright

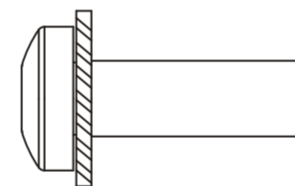


Owner's Manual

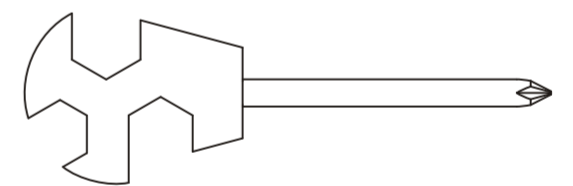


Main Frame

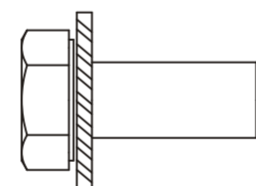
## Hardware List



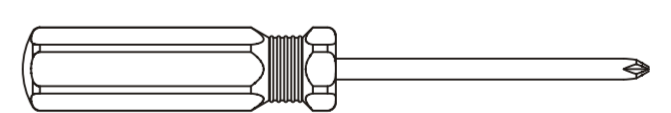
ten Hexalobular Socket Pan Head Tapping Screws W/ Serrated Lock Washer M8\*20 (#15)



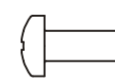
one Flat Wrench



four Hex Head Bolt W/ Serrated Lock Washer M10\*25 (#12)



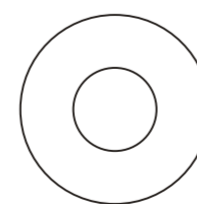
one Screw Driver



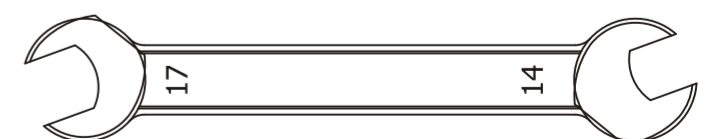
two Phillip Screw M4\*10 (#16)



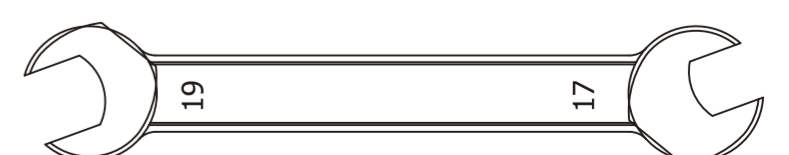
two Allen Wrench S= 5, 6



two Washer  $\Phi 11 * \Phi 23 * 2$  (#14)



two Locknut M10 (#13)



two Double-Ended Wrench

### Step 1

Open the packaging box and take all the things out of it, then move the Deck Frame to a level place.

### Step 2

1. Remove the Motor Cover (#8), use the following parts:  
four M6\*20 Socket Head Cap Screws (#9)
2. Then you need to take down the following parts that fixing bolts for the left upright and right upright.  
four M10 Nuts  
two  $\Phi 11*\Phi 23*2$  Washers

### Step 3

Attach the Left Upright (#2) and the Right Upright (#3) to the Mainframe use the following parts:

- four M10\*25 Hex Head Bolt w/ Serrated lock washer (#12)
- two  $\Phi 11*\Phi 23*2$  Washers (#13)
- two M10 Locknuts (#14)
- two M10\*165 Hex Bolts (#17)
- two M10\*180 Hex Bolts (#18)

**NOTE: BEFORE YOU DO THIS STEP, PLEASE PUT THE CONSOLE WIRE DOWN (#19) THROUGH THE RIGHT UPRIGHT(#3).**

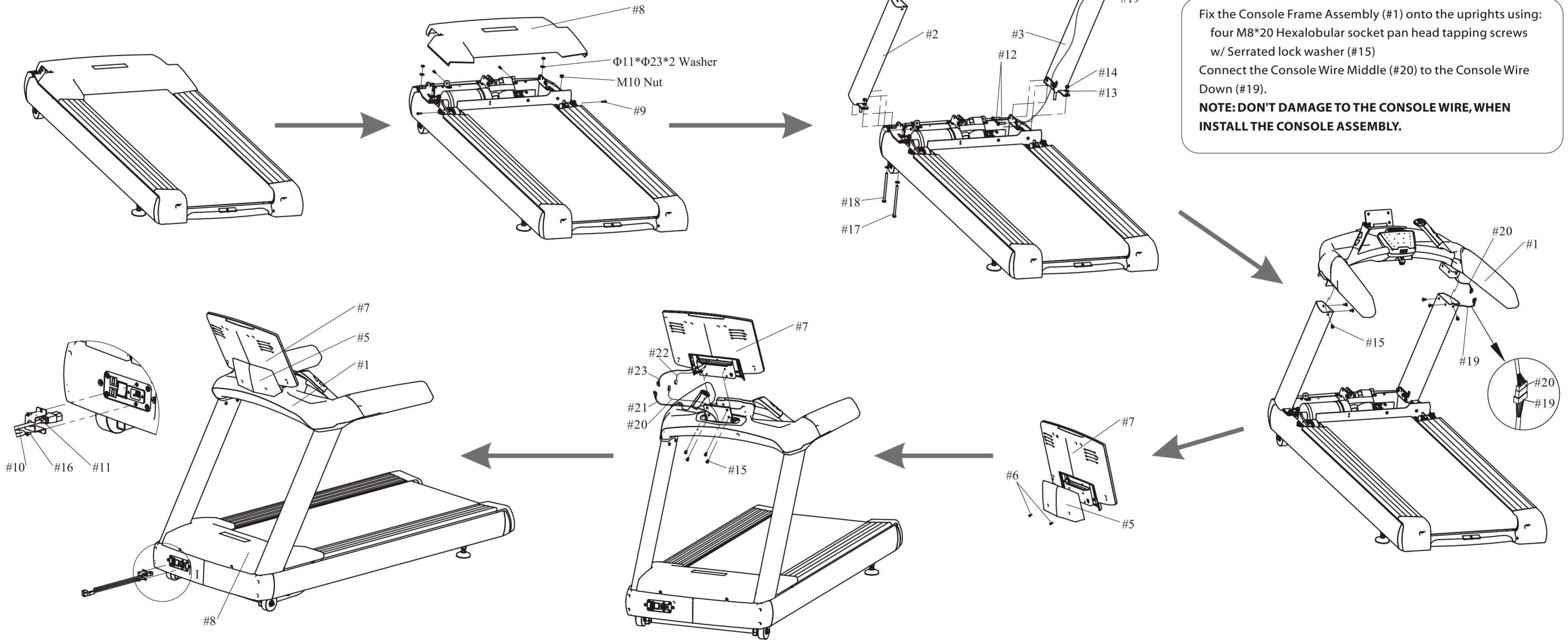
### Step 4

Fix the Console Frame Assembly (#1) onto the uprights using:

- four M8\*20 Hexalobular socket pan head tapping screws w/ Serrated lock washer (#15)

Connect the Console Wire Middle (#20) to the Console Wire Down (#19).

**NOTE: DON'T DAMAGE TO THE CONSOLE WIRE, WHEN INSTALL THE CONSOLE ASSEMBLY.**



### Step 7

- Reinstall the Motor Cover (#8), tighten four M6\*20 Socket Head Cap Screws (#9) to fix it.  
Reinstall Neck Back Cover (#5), tighten two M5\*15 Philips Screws (#6) fix it on the Console Frame Assembly.  
Install the Power Wire (#10) and fix Power Wire Fixing Plate (#11) on the bottom of the Power Wire. Use the following parts:  
two M4\*10 Philips Screws (#16)

### Step 6

- Fix the Console Display (#7) onto the Console Frame Assembly using:  
four M8\*20 Hexalobular socket pan head tapping screws w/ Serrated lock washer (#15)  
Connect the Console Wire Middle (#20) to the Console Wire Up (#22), the wire of Pinboard (#21) to the Connect Wire (#23), then put these wires to right position.

### Step 5

- Remove two M5\*15 Philips Screws (#6) and Neck Back Cover (#5) from the Console Display (#7).